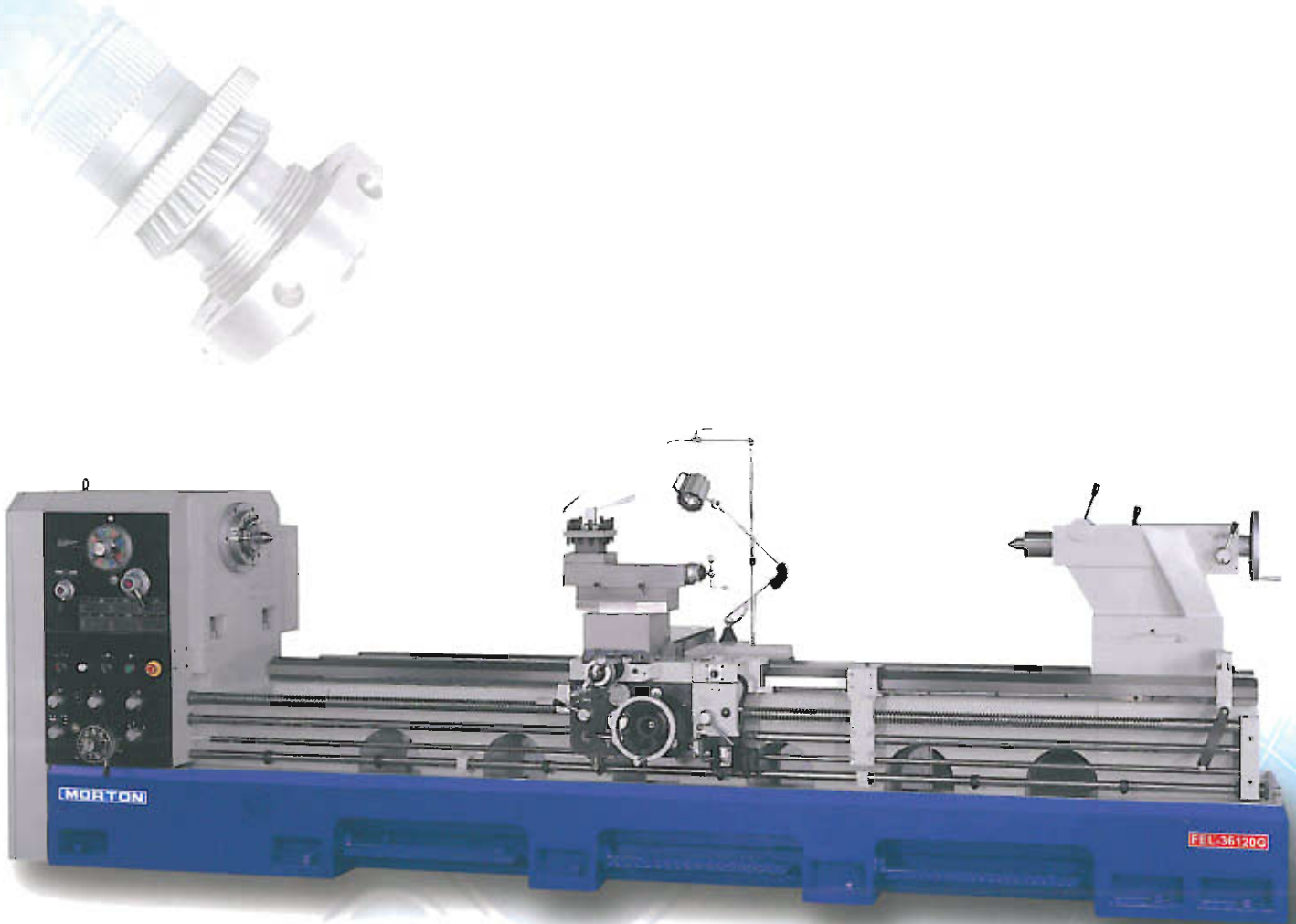


MORTON®

HEAVY DUTY PRECISION LATHE

FEL-2800G / FEL-3200G / FEL-3600G



THE LEADER IN QUALITY AND RELIABILITY

~ SINCE 1973 ~



SPINDLE

- Supported by 2 precision taper roller and one ball bearing.
- Dynamically balanced, hardened and precision ground.
- D1-11 or A2-11 spindle nose.
- 105mm (4-1/8") spindle bore-optional 155mm (6-1/16").



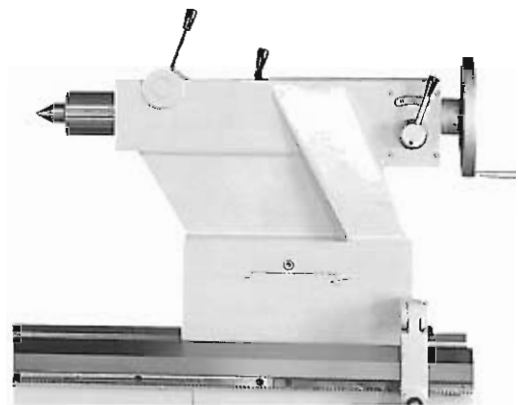
BED & STAND

- One piece heavy duty structure casting floor bed.
- Meehanite casting vibration stress relieved.
- Induction hardened and precision ground bed ways.
- Precision hand scraped removable gap.
- Bed width 460mm (18").



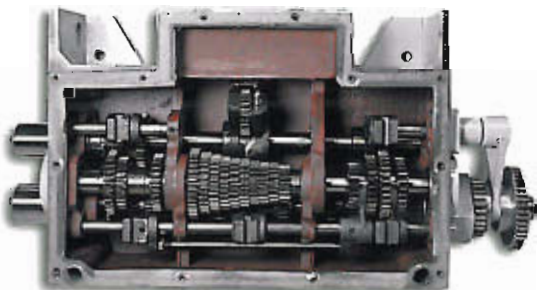
APRON

- Automatic feed and threading, fully inter-locked.
- Saddle and top slide locking system.
- Forward-off-reverse lever.
- Build in rapid feed motor for b.c.longer than 2000mm (80").
- Cross slide way hardened and precisely ground.
- 4 way tool post.
- T slot compound.
- Cross slide screws hardened and oil bathed.
- Rapid longitudinal feed-DBC-over 3000mm (120").



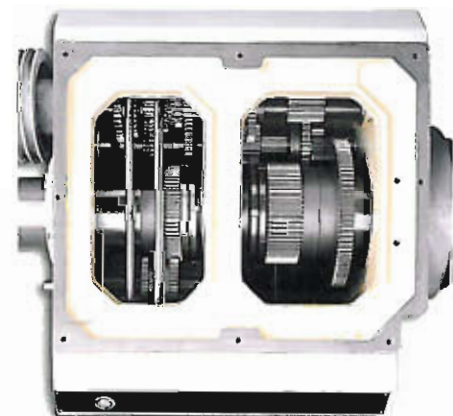
TAIL-STOCK

- 95mm (3-3/4") quill diameter, MT No.5, with 230mm (9" travel) knock out tang.
- 2 speed for easy drilling.



UNIVERSAL GEAR BOX

- Oil bath lubrication.
- Heat treated precision gears.
- Inch, metric, module and diametrical threads.



HEAD STOCK

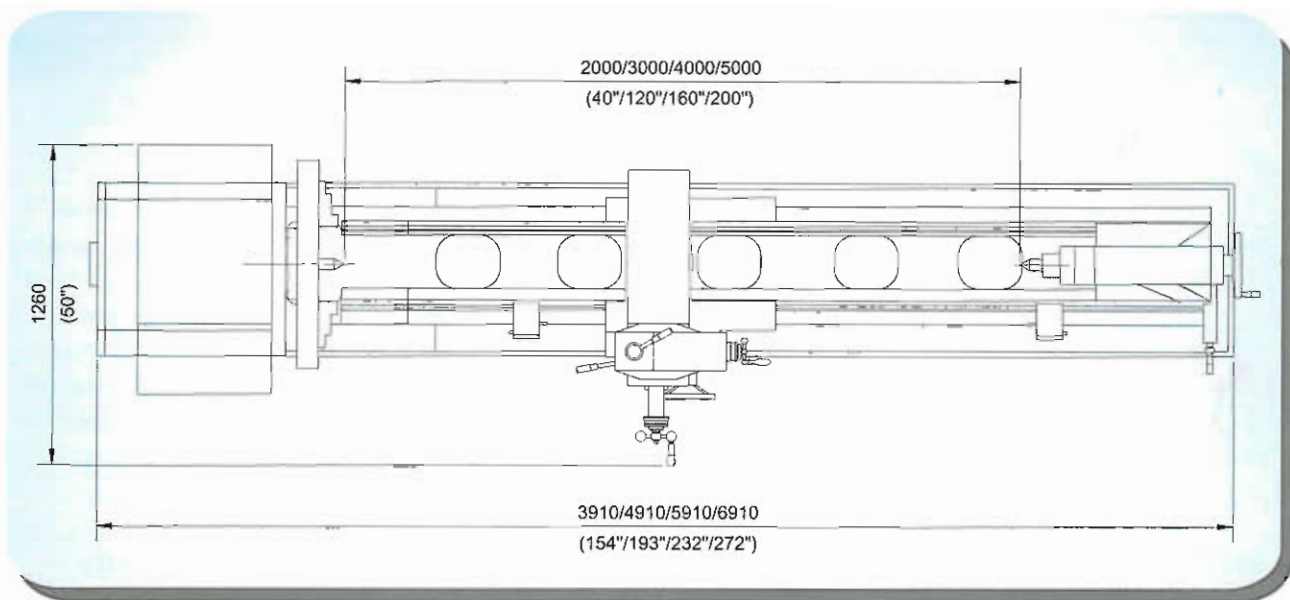
- All gears chromium molybdenum, heat treated and precision ground.
- Lubrication system oil bath.

MORTON BRAND HEAVY DUTY HORIZONTAL CENTER LATHES

SPECIFICATIONS		FEL-2800G		FEL-3200G		FEL-3600G		
CAPACITY	Center high	365mm (14")		415mm (16")		465mm (18")		
	Swing over bed	730mm (28")		830mm (32")		930mm (36")		
	Swing over gap	1000mm (40")		1100mm (44")		1200mm (47")		
	Swing over corss slide	500mm (20")		600mm (23")		700mm (27-1/2")		
	Bed width	460mm (18")						
	Width of gap	304mm (12")						
	Distance between centers	1500 / 2000 / 2500 / 3000 / 4000 / 5000 / 6000mm (60 / 80 / 100 / 120 / 160 / 200 / 240")						
HEAD STOCK	Spindle nose-internal taper	A2-8 / D1-11		A2-11 or D1-11				
	Spindle center sleeve	Morse Taper No.7 x No.5						
	Spindle Bore	105mm (4")		105mm (4") / Optional - 153mm (6")				
	Spindle speed steps	12 steps						
	Range of spindle speeds-rpm	15-1000rpm optional-10-700rpm						
CARRIAGE	Corss slide travels	425mm (16-1/2")						
	Compound slide travel	250mm (10")						
THREAD & FEEDS	Leadscrew	45mm (1-3/4") x 2T.P.I. or 12 Pitch-(optional)						
	Longitudinal feeds	0.05 - 0.7mm (0.002 - 0.0276") / rev.						
	Cross feeds	0.027 - 0.35mm (0.001 - 0.0138") / rev.						
	Imperial threads	36 Kinds / 2-28 T.P.I.						
	Metric threads	65 Kinds / 0.8-14 Pitch						
	Module threads	22 Kinds / 0.5-7 M.P.						
	Diametrical threads	36 Kinds / 4-56 D.P.						
TAILSTOCK	Taper of quill center	Morse Taper No.5						
	Quill Diameter	95mm (3-3/4")						
	Quill Travel	230mm (9")						
INDUCTION MOTORS	Main Spindle motor	11.25Kw (15HP) x 4 Pole / Opt - 7.5Kw (10HP) x 6 Pole						
	Longitudinal rapid feed motor	Between Center more than 2000mm (80") -1/4HP						
	Coalnt pump motor	1/8HP						
BETWEEN CENTERS (mm/Inch)		1500(60)	2000(80)	2500(100)	3000(120)	4000(160)	5000(200)	6000(240)
BED LENGTH (mm/Inch)		3050(120)	3550(140)	4050(160)	4550(180)	5550(219)	6550(258)	7550(298)
NET WEIGHT	Kgs	5400	5800	6200	6600	7400	8200	9000
	Lbs	11902	12783	13665	14547	16310	18073	19836
PACKING	Length (mm/Inch)	3500(137.9)	4000(157.6)	4500(177.3)	5000(197)	6000(236.4)	7000(276)	8000(318)
	Height (mm/Inch)	1250mm (49-1/4")						
	Width	1900mm (75")						

*We reserve the right to modify and improve above specification without notice.

MORTON



STANDARD ACCESSORIES

- ▶ Faceplate.
- ▶ Steady rest-280mm (11")
- ▶ Follow rest.
- ▶ Coolant pump.
- ▶ Center sleeve.
- ▶ Center MT #5 x 2 PCs.
- ▶ Leveling block and bolts.
- ▶ Operational manual+spare parts list.
- ▶ Back plate.
- ▶ Tool post wrench.
- ▶ Anchor bolt.
- ▶ Tool box & tool.

OPTIONAL ACCESSORIES

- ▶ 3 jaws scroll chuck 380mm-D1-11/A2-11.
- ▶ 4 jaws independent chuck 500mm-D-11/A2-11.
- ▶ 3 jaws scroll chuck 500mm-D1-11/A2-11.
- ▶ 4 jaws independent chuck 630mm A2-11.
- ▶ 4 jaws independent chuck 800mm. (for 6" / 165mm bore)
- ▶ 3 jaws scroll chuck 630mm A2-11. (for 6" / 165mm bore)
- ▶ 3 jaws scroll chuck 610mm steel body-A2-11 SCA-SWEDEN.
- ▶ 4 jaws steel body chuck-610mm SCA-SWEDEN.
- ▶ Steady rest-420mm (16")
- ▶ Steady rest-580mm (22")
- ▶ Skoda live center MT No.6 Czech.
- ▶ Skoda bull nose live center MT No.5 Czech.
- ▶ Skoda interchangeable insert live center MT No.5
- ▶ Carbide tipped dead center made in Czech.
- ▶ Drill sleeve MT No. 5 / 4 / 3.
- ▶ Quick change toolpost.
- ▶ Taper turning attachment-400mm (16") travel.
- ▶ Micro stop.
- ▶ Keyless drill chuck with arbor-20mm cap.
- ▶ Splash guard.
- ▶ CE-Marks.
- ▶ Longitudinal rapid traverse device. (BC smaller than 200mm (80"))
- ▶ Face plate with 4 jaws.
- ▶ Work Light.

f **FREJOTH INTERNATIONAL LTD.**

8F #501, SEC.2, WU CHUAN W. RD., TAICHUNG 408, TAIWAN, R.O.C.

TEL:886-4-23816977

FAX:886-4-23813584.23813769

E-mail: mail@frejoth.com.tw

web-site <http://www.frejoth.com.tw>

www.acra.com.tw